



# 200 Size Stainless Steel FIP Head Kit Pump

11/00

## 28440 Series Stainless Steel Head Kit Pump

### Features

- Self primes from dry up to 5.0 metres
- Flows up to 200 litres per minute
- Pressure up to 2.5 bar†
- Handles hard or soft solids - max. 9mm dia
- Tolerates abrasive wear - replacable wearplate
- Non pulsating flow, proportional to speed
- Handles viscosities up to 4,000 centiPoise
- Minimal shear to thixotropic fluids
- Fits IEC standard motor B3/B14, frame 90



### Typical Applications

- Acids and alkalis, compounds, copper sulphate, methyls, alcohols.
- Industrial chemicals, resins, oils, fatty acids, brine.
- Detergents, soaps, hydrogen peroxide.
- Paints, dyes, inks, varnishes, laquers, solvents.
- Transfer, filling, recirculation and agitation, spillage return, spraying, coating, filtration.
- Viscous, shear-sensitive fluids, small hard and soft solids in suspension.

### Specifications

**Seal** : Carbon / Ceramic mechanical face seal

**Optional:**

- Tungsten Carbide / Ceramic hard faced mechanical seal
- Nitrile Lip seal on shaft sleeve
- Carbon / Ceramic flushed seal
- Tungsten Carbide / Ceramic hard faced flushed seal

**Seal Elastomers** : Nitrile or Viton

**Pump Head** : Stainless steel 316, as-cast interior and exterior finish

**End Cover** : Stainless steel 316 grade

**Shafts** : Stainless steel 316 grade, shaft extension

**Bearings** : Uses motor bearings

**Motor Adaptor** : Epoxy coated cast iron

**Ports** : 1½" BSP internal thread to BS21 (DIN2999)

**Weight** : 6.4kg

### Model Range

Pressure options	Medium - Max 2.5 bar†							
Elastomer option	Neoprene	E.P.D.M.	Nitrile	Viton®				
Temperature range	4°C to 65°C	0°C to 120°C	-5°C to 90°C	10°C to 90°C				
<b>Mechanical Seal Options</b>								
Carbon/Ceramic	28440-2115	28440-2112	28440-2113	28440-2114				
Tungsten Carbide/Ceramic hard faced			28440-2213					
Lip seal	28440-2415							
<b>Flushed Mechanical Seal</b>								
Tungsten Carbide/Ceramic hard faced	28440-2715							
Carbon/Ceramic	28440-2915							

For models not listed above, consult distributor or factory

Note : it is not recommended to start the pump at extremes of the temperature range, impeller damage may occur

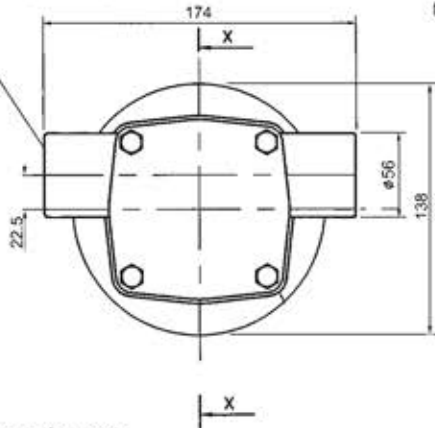
For Installation, Operating, Maintenance and Safety Instructions refer to form 43001-0543

**⚠ WARNING** Explosion hazard. Do not pump gasoline, solvents, thinners or other flammable liquids. To do so can cause an explosion resulting in injury or death.

† Pressures over 1.4 bar may reduce motor shaft life

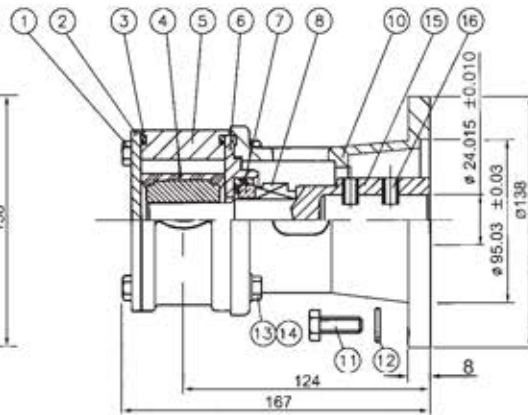
Fits IEC motor with foot & face to IEC B3/B14 frame size 90

Rp 1-1/2" (BS21) x 21 Deep  
Both ports

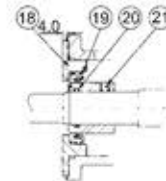


Dimensions in mm

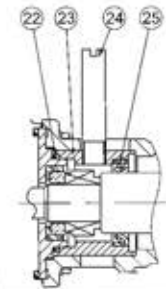
For performance data refer to the 200 size flexible impeller pump performance curves



### 28440 Series



Lip Seal



Flushed Seal

### Parts List

Key	Description	Qty	Part Number
1	Screw	4	X3001-207F
2	Endcover	1	28405-0010
3	O'Ring *	2	See right
4	Impeller *	1	See right
5	Body	1	28434-2000
6	Wearplate	1	28436-0000
7 / 8	Seal Assembly *	1	See right
10	Motor Adaptor	1	28423-0000
11	Screw	4	X3001-209F
12	Washer	4	X3080-101K
13	Screw	4	X3001-209F
14	Washer	4	X3080-101K
15	Shaft Extension	1	28427-0001
16	Set Screw	2	X3009-203A
18	Wearplate	1	28466-0000
19	Lip Seal	1	SP2701-0915
20	O-Ring	1	X4020-227A
21	Seal Spacer	1	28465-0001
22	O-Ring	1	X4020-261A
23	Seal Housing	1	28412-0000
24	Tube	2	21844
25	Seal	1	SP2701-0915

Parts marked \* Contained in service kit

### Spare Parts & Service Kits

3	O-Ring	Nitrile	X4020-399A
		Viton	X4020-399B
4	Impeller	Neoprene	14346-0005B
		E.P.D.M.	14346-0002B
		Nitrile	14346-0013B
		Viton	14346-0014B
7 / 8	Std Mech. Seals	Nitrile	28431-0103B
		Viton	28431-0104B
	Hard Faced	Nitrile	28431-0203B
		Viton	28431-0204B
Service Kit	Neoprene	SK378-0115	
	Nitrile	SK378-0113	
	Viton	SK378-0114	

Models with Neoprene and E.P.D.M. impellers use Nitrile elastomers on seals and O-rings.

Viton is a registered trademark of DuPont Dow Elastomers.

### Other Available Options

Pedestal pumps, for coupling to motor, gearbox or pulley.

## Jabsco

### USA

**Jabsco**  
1485 Dale Way  
Costa Mesa  
CA 92628-2158

Tel : +1 714 545 8251  
Fax : +1 714 957 0609

### UK

**Jabsco**  
Bingley Road  
Hoddesdon  
Hertfordshire, EN11 0BU

Tel : +44 (0) 1992 450 145  
Fax : +44 (0) 1992 467 132

### GERMANY

**Jabsco GmbH**  
Oststraße 28  
22844 Norderstedt

Tel : +49 (0) 40 53 53 73 0  
Fax : +49 (0) 40 53 53 73 11