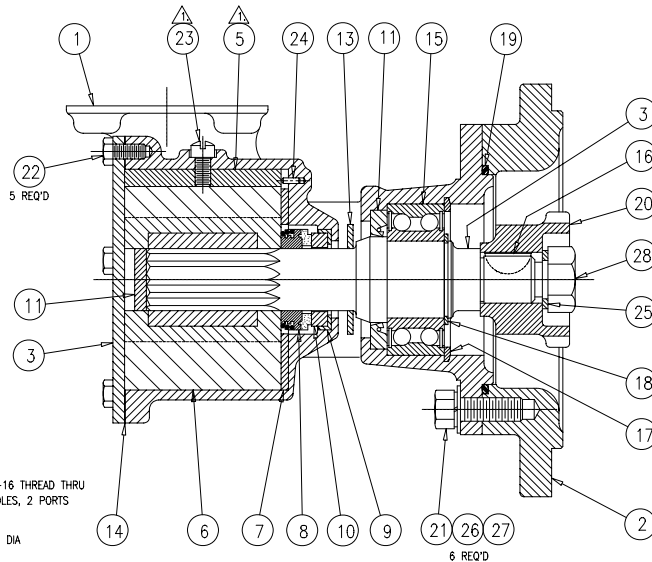
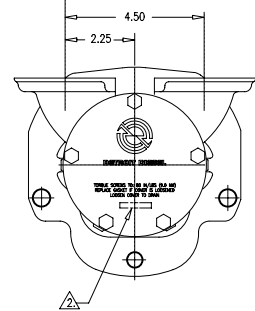
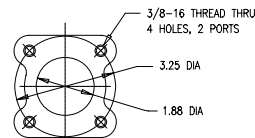


ITEM	PART NO	DESCRIPTION	QTY					
			-0001	-0011	-0021	-0051	-0151-3000	
1	2564-8000	BODY - CASTING	1	1	1	1	1	1
1	2564-0000	BODY - MACHINING	REF	REF	REF	REF	REF	REF
1	2564-0010	BODY - MACHINING	REF	REF	REF	REF	REF	REF
2	2566-0020	ADAPTOR	1	1	1	1	1	1
3	2567-6001	SHAFT	1	1	1	1	1	1
4	15397-0000	END COVER	1	1	1	1	1	1
5	834-6001	CAM	1	1	1	1	1	1
5	2551-6000	CAM				1	1	
6	17935-0111	IMPELLER	1	1	1	1	1	1
7	2574-6000	WEAR PLATE	1	1	1	1	1	1
8	96080-0374	SEAL, SUB-ASSY	1	1	1	1	1	1
9	10162-0000	SEAL, CUP	1	1	1	1	1	1
10	10163-0000	SEAL, SEAT	1	1	1	1	1	1
11	817-6000	SEAL, LIP	1	1	1	1	1	1
12	4346-0001	SEAL, SPLINE	1	1	1	1	1	1
13	3181-6000	SLINGER	1	1	1	1	1	1
14	816-6000	GASKET	1	1	1	1	1	1
14	2553-0000	GASKET				1	1	
15	92600-6040	BEARING, BALL	1	1	1	1	1	1
16	91402-0050	KEY, WOODRUFF	1	1	1	1	1	1
17	91700-2460	RING, RETAINING	1	1	1	1	1	1
18	91700-2450	RING, RETAINING	1	1	1	1	1	1
19	92000-1372	O-RING	1	1	1	1	1	1
20	2581-6000	GEAR, DRIVE	1	1	1	1	1	1
21	91095-1272	SCREW, HEX HD 3/8-16 x 1.00, CRES	6	6	6	6	6	6
22	91095-0060	SCREW, HEX HD, 1/4-20 x 1/2, CRES	5	5	5	5	5	5
23	91005-6040	SCREW, FILL HD, 1/4-20 x 1/2, BRASS	1	1	1	1	1	1
23	91005-0050	SCREW, FILL HD, 1/4-20 x 1/2, BRASS				1	1	
24	2575-6000	PIN, DOWEL	1	1	1	1	1	1
25	91608-0010	WASHER, LOCK	1	1	1	1	1	1
26	91602-0090	WASHER, LOCK	6	6	6	6	6	6
27	91605-0070	WASHER	6	6	6	6	6	6
28	91085-0100	NUT, JAM	1	1	1	1	1	1

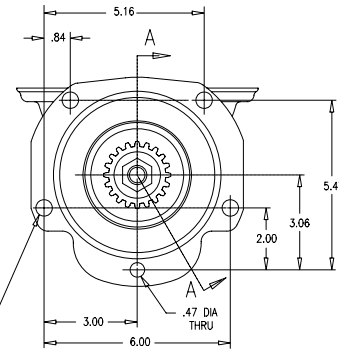
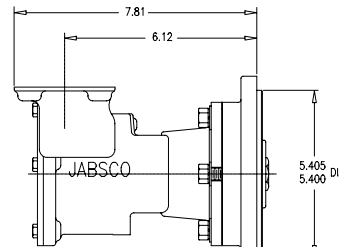


SECTION A-A
SCALE: 1/1

MODEL 2570-0001 ONLY



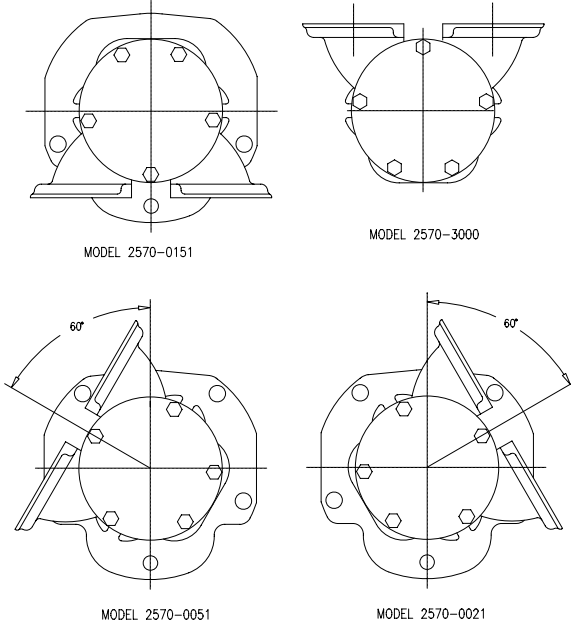
MODEL 2570-0001
& 2570-0011



NOTES: UNLESS OTHERWISE SPECIFIED
 ⚠ COAT O.D. OF CAM, ITEM 5 AND THREADS OF CAM SCREW, ITEM 21, WITH PERMATEX FORM-A-GASKET RESIN SOLUTION.
 ⚠ MARK END COVER, ITEM 4 WITH DDC PART NO. DO NOT MARK WITH JABSCO MODEL NO.
 JABSCO MODEL NO. DDC PART NO.
 2570-0001 5186250
 2570-0011 5115396
 2570-0021 5107480
 2570-0051 23501083
 2570-0151 23513002
 2570-3000 23507971

TORQUE REQUIREMENTS

ITEM	REQUIRED TORQUE
21	13 - 15 FT/LBS
22	75 - 80 IN/LBS
23	42 - 46 IN/LBS
28	35 - 40 FT/LBS



MODEL 2570-0051

MODEL 2570-0021

UNLESS OTHERWISE SPECIFIED ALL DIMENSIONS ARE IN INCHES ALL DIMENSIONS AND TOLERANCING PER ASME Y14.5M-1994	TOLERANCES ARE: FRACTIONS: +1/32 DECIMALS: .XX-±.0015 XXX-±.0005 ANGULAR: ±.001	MATL SPEC: _____	<input checked="" type="checkbox"/> JABSCO COSTA MESA, CA <input type="checkbox"/> FLOJET Foothill Ranch, CA
	APPROVALS: _____ DATE: _____	TITLE: _____	
THIS DOCUMENT CONTAINS PROPRIETARY INFORMATION OF ITT INDUSTRIES. THIS DOCUMENT IS ISSUED IN STRICT CONFIDENCE AND SHALL NOT BE DISCLOSED TO A THIRD PARTY OR USED FOR MANUFACTURE, PRODUCTION OR PROCUREMENT WITHOUT THE EXPRESS WRITTEN PERMISSION OF ITT INDUSTRIES.		DRAWN BY: H. YU 3/10/00 CHECKED BY: J. NEMSHOK 4/19/00 APD BY: N. SANTOS 4/20/00 DO NOT SCALE DRAWING	SCALE: 1:2 & NOTED COMPUTER FILE NO: _____ DWG NO: 2570-XXXX SHEET 1 OF 1

DETROIT DIESEL PUMP

REV U