

## 23870 12/24V Fuel Transfer Pump

### Features

- Faster refuelling - 35 litres/minute (9.5 U.S.GPM).
- High head capability - 6 metres (19 feet).
- Self priming up to 2.8 metres (9 feet).
- Vibration tested.
- IP55 protected motor.
- Full range of installation accessories.
- Customised kits for OEM customers.



### Typical Applications

- Designed for refuelling small sizes diesel powered vehicles [typical tank sizes up to 200 litres (50 U.S. gallons)] from drums.
- Suitable for mounting to the following equipment: Excavators, Cranes, Road rollers (compactors), Pavers, Agricultural machines, Generators, Helicopters.
- Suitable for diesel fuel, Kerosene, Paraffin, Hydraulic oils, Oils up to 150 centi Stokes (750 Saybolt Universal) viscosity.

### Specifications

**Temperature Range** : -30°C to +40°C (-22°F to +104°F)

**Pump Body** : Aluminium

**Rotor** : Vectra

**Vanes** : PTFE Filled Ryton

**Shaft** : Steel

**Seal** : Nitrile Lip Seal

**Ports** : Vertical ½" BSP or 19mm hose adaptors (¾")

**Motor** : 12V or 24V DC permanent magnet, corrosion resistant IP55 protected

**Duty** : 25 mins @ +40°C (104°F)

### Model Range

Model Number	Description
23870-2200	½" BSP parallel internal ports, 12v DC switch, fuse
23870-2300	½" BSP parallel internal ports, 24v DC switch, fuse
23870-1200	19mm (¾") O/D hose ports, 12v DC, switch, fuse
23870-1300	19mm (¾") O/D hose ports, 24v DC, switch, fuse
23870-1600	19mm (¾") O/D hose ports, 24v DC, switch, fuse, check valve, suction strainer
Accessories	
23533-1000	Straight Hose Adaptors
23533-1100B	Straight Hose Adaptors (Kit of 2 including sealing washers)
X5020-003	90° Hose Adaptors
23735-0010B	Check Valve Kit
23736-0000B	Foot Valve Kit
23732-0000	Suction Strainer 300 Micron
23531-0001G	Hose - 19mm (¾") bore - per metre

**WARNING** Explosion hazard. Do not pump gasoline, solvents, thinners or other flammable liquids. To do so can cause an explosion resulting in injury or death.

### Parts List

Key	Description	Qty	Part No.
1	Screw	2	X3001-167F
2	Spring Washer	2	X3081-081F
3	Rotor*	1	45714-0000
4	Vane*	5	45716-0100
5	O-Ring*	1	X1990-131
6	Endcover	1	23875-0050
7	Body	1	23874-2050
8	Seal*	1	SP2701-52
9	Slinger*	1	6342
10	Motor with Switch & Fuse	12 Volt	1 98012-9299B
		24 Volt	1 98012-9300B
		24 Volt	1 98012-9301B
12	Fuse (Pack 10)	12V/20A	1 92005-6020B
		24V/10A	1 92005-6010B
13	Screw (Pack 10)	2	91046-6001B
Service kit contains items marked *			SK399-0101

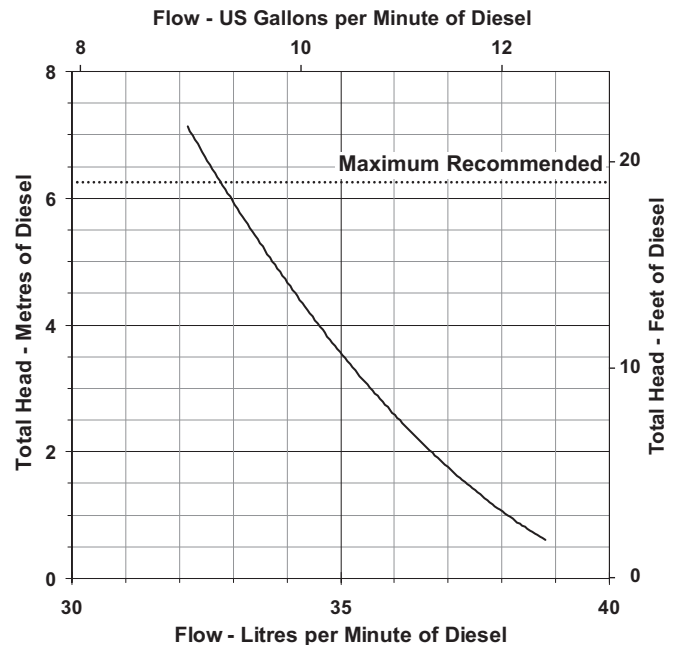
#### Note

All performance information is based on diesel fuel at 0°C (68°F). On production product, this may vary by up to 10%. Maximum recommended total head of diesel fuel is 6 metres.

#### Safety

Do not use for pumping petrol, gasoline or products with a flash point below 37°C (99°F). Do not dry run.

### Performance



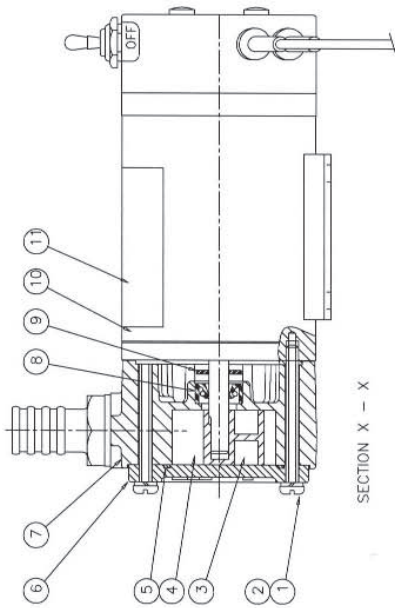
**Current Draw** 12V = 15 Amps @ 3m head  
24V = 7 Amps @ 3m head

**Maximum Current** 12V = 20 Amps  
24V = 10 Amps

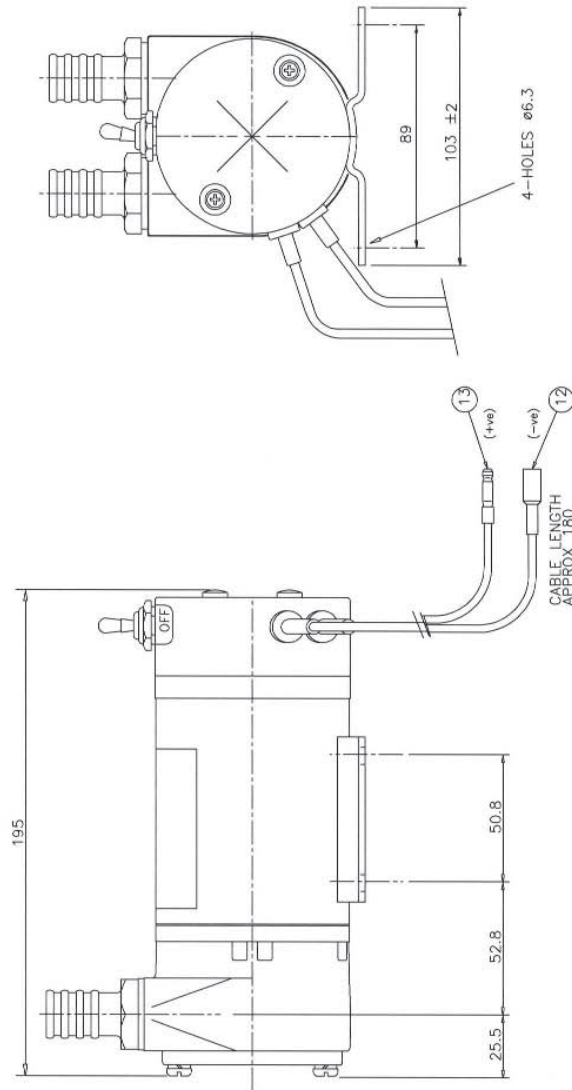
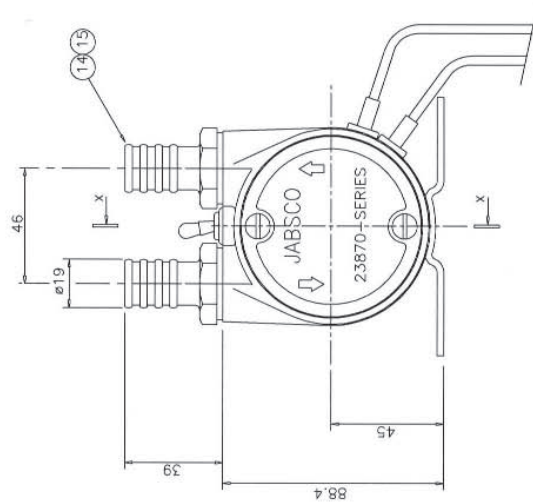
ASSEMBLY VANES AS SHOWN  
WITH RADIUSSED EDGE LEADING  
FOR ANTICLOCKWISE ROTATION



VIEW ON ARROW Y  
WITH BODY REMOVED



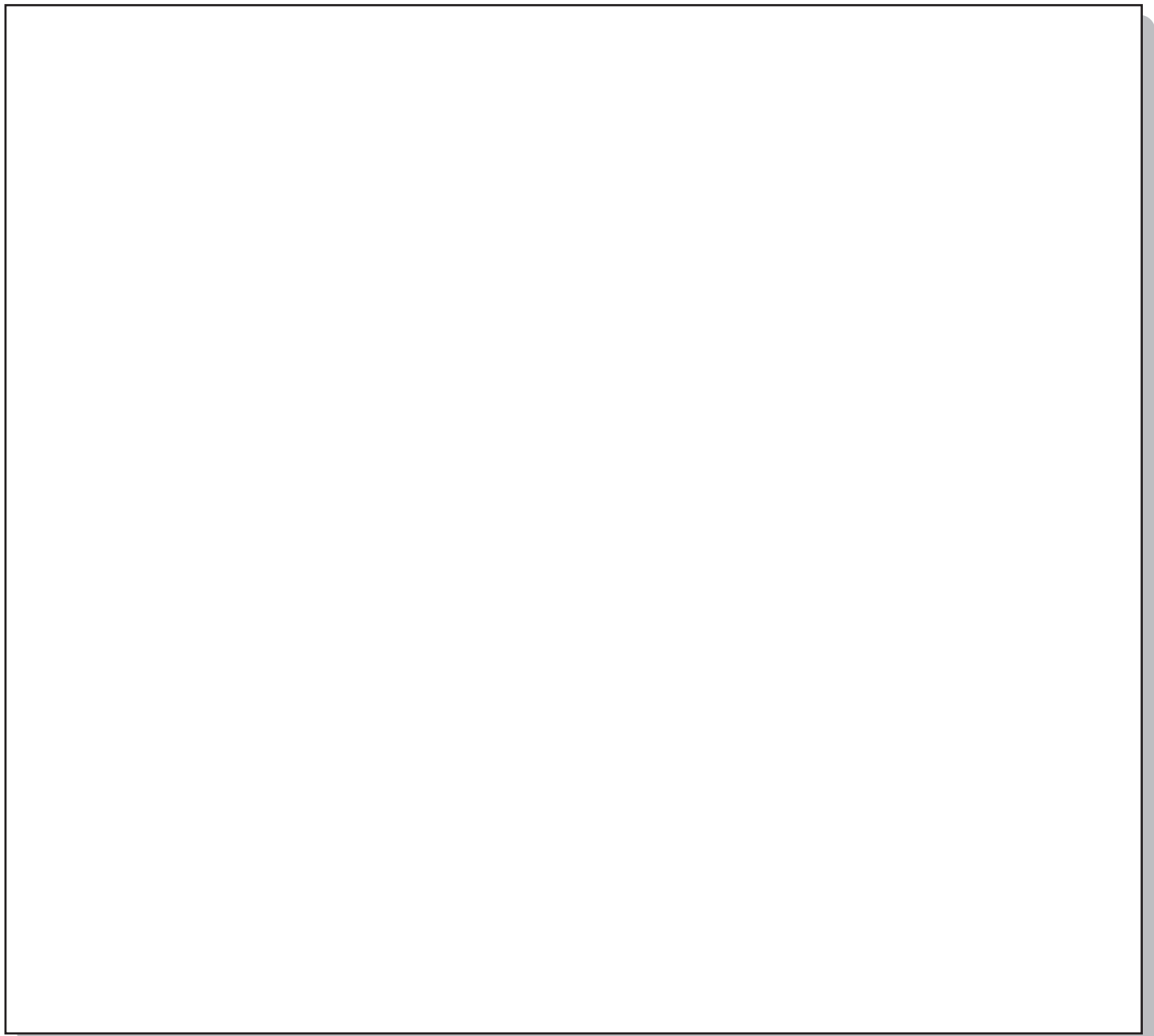
SECTION X - X





# 23870 Diesel Refuelling Pump

04/09



**Jabsco**, 1 Kondelin Road, Cape Ann Industrial Park, Gloucester, MA 01930  
Tel: +1 978 281 0440 Fax: +1 978 283 2619

**USA**

**Jabsco**, Bingley Road, Hoddesdon, Hertfordshire, EN11 0BU  
Tel: +44 (0) 1992 450 145 Fax: +44 (0) 1992 467 132

**UK**

**NHK Jabsco Co Ltd**, 3-21-10, Shin - Yokohama Kohoku-ku, Yokohama 222  
Tel: +81 (0) 45 475 8906 Fax: +81 (0) 45 475 8908

**JAPAN**

**Jabsco GmbH**, Oststraße 28, 22844 Norderstedt  
Tel: +49 (0) 40 53 53 73 0 Fax: +49 (0) 49 53 53 73 11

**GERMANY**

**Jabsco Italia**, s.r.l., Via Tommaseo, 6, 20059 Vimercate, Milano  
Tel: +39 039 685 2323 Fax: +39 039 666 307

**ITALY**

Warranty: All products of the company are sold and all services of the company are offered subject to the company's warranty and terms and conditions of sale, copies of which will be furnished upon request. The information provided herein is for guidance only, it does not constitute a guarantee of the performance or specification of any individual product or component.

© 2012 Xylem, Inc. All rights reserved. JABSCO is a registered trademark of Xylem Inc. or one of its subsidiaries.

43010-0022 Rev B