



# Model 18610 Series

## SELF-PRIMING PUMPS

### FEATURES

- Body:** Bronze
- Impeller:** Made of Neoprene, Nitrile, Viton\*
- Shaft Seal:** Lip Type
- Ports:** 1/2" NPT Female  
Includes Two 3/4" Male Garden Hose Adapters
- Motor:** 1/6hp - 115 Vac, 60 Hz. ODP Motor  
1/4hp - 115 Vac, 60 Hz. TENV Motor  
Thermal Overload Protector  
Stainless Steel Shaft  
8' Cord with 3 Prong Grounded Plug
- Weight:** 12 lb (5.4 kg)



Model 18610 Series

|                  |  |
|------------------|--|
| <b>⚠ WARNING</b> | <b>Explosion hazard. Do not use where flammable vapors are present. Do not pump gasoline, solvents, thinners or other flammable liquids. To do so can cause an explosion resulting in injury or death.</b> |
|------------------|--|

### VARIATIONS AVAILABLE

| Model      | Description                                     |
|------------|---|
| 18610-0001 | Open Drip Proof Motor, Neoprene Impeller        |
| 18610-0003 | Open Drip Proof Motor, Nitrile Impeller         |
| 18610-0004 | Open Drip Proof Motor, Viton Impeller and Seal  |
| 18610-0271 | Totally Enclosed Motor, Neoprene Impeller       |
| 18610-0273 | Totally Enclosed Motor, Nitrile Impeller        |
| 18610-0274 | Totally Enclosed Motor, Viton Impeller and Seal |

### APPLICATIONS

**INDUSTRIAL:** Circulating and transferring, velocity-mixing, pumping machine tool coolants, return spill, sump drainage, pharmaceuticals, soap, liquors, ink, dyes, alcohol, glycerine, brine and pumping water for cooling heliarc welding equipment

**FARMING:** Pumping water for stock, pumping water from shallow wells and cisterns

**MARINE:** Washdowns, utility dock side pump

**PLUMBING & HOME EMERGENCY USE:** Pumping out flooded basements, cesspools, sumps, water heaters and water closets, drains and sinks, draining fishponds and small pools

**PUBLIC UTILITIES AND MUNICIPALITIES:** Dewatering and draining meter boxes and excavations, dust control and sampling

\* Viton is a registered trademark of Du Pont Elastomers L.L.C.

## OPERATING INSTRUCTIONS

- 1. INSTALLATION:** Pump may be mounted in any position. Inlet port is on the right and discharge port on the left when facing pump.
- 2. SELF-PRIMING:** Vertical dry suction lift of 6 feet with Neoprene impeller. Pump will produce suction lift up to 20 feet when wetted. **BE SURE SUCTION LINES ARE AIRTIGHT OR PUMP WILL NOT SELF-PRIME.**  
  
NOTE: Viton impeller suction lift requirement should not exceed 3 feet.
- 3. DISCHARGE LINE:** When transferring liquids further than 25 feet, discharge line size should be increased to next available pipe size.
- 4. RUNNING DRY:** DO NOT RUN DRY. Unit depends on liquid pumped for lubrication. Lack of liquid will damage the impeller.
- 5. NOTICE:** When pumping chemicals, consult Jabsco Chemical Resistance Table for proper body and impeller materials. Pump life is prolonged if pump is flushed with water after each use.
- 6. TEMPERATURES:**
  - Neoprene: 45° to 180° F ( 7° to 82° C)
  - Nitrile: 50° to 180° F (10° to 82° C)
  - Viton: 60° to 180° F (15° to 82° C)
- 7. FREEZING WEATHER:** Drain unit by loosening end cover. Glycol and alcohol based anti-freeze compounds are recommended. **DO NOT USE PETROLEUM BASED ANTI-FREEZE COMPOUNDS OR RUST INHIBITORS.**

## SERVICE INSTRUCTIONS

### DISASSEMBLY

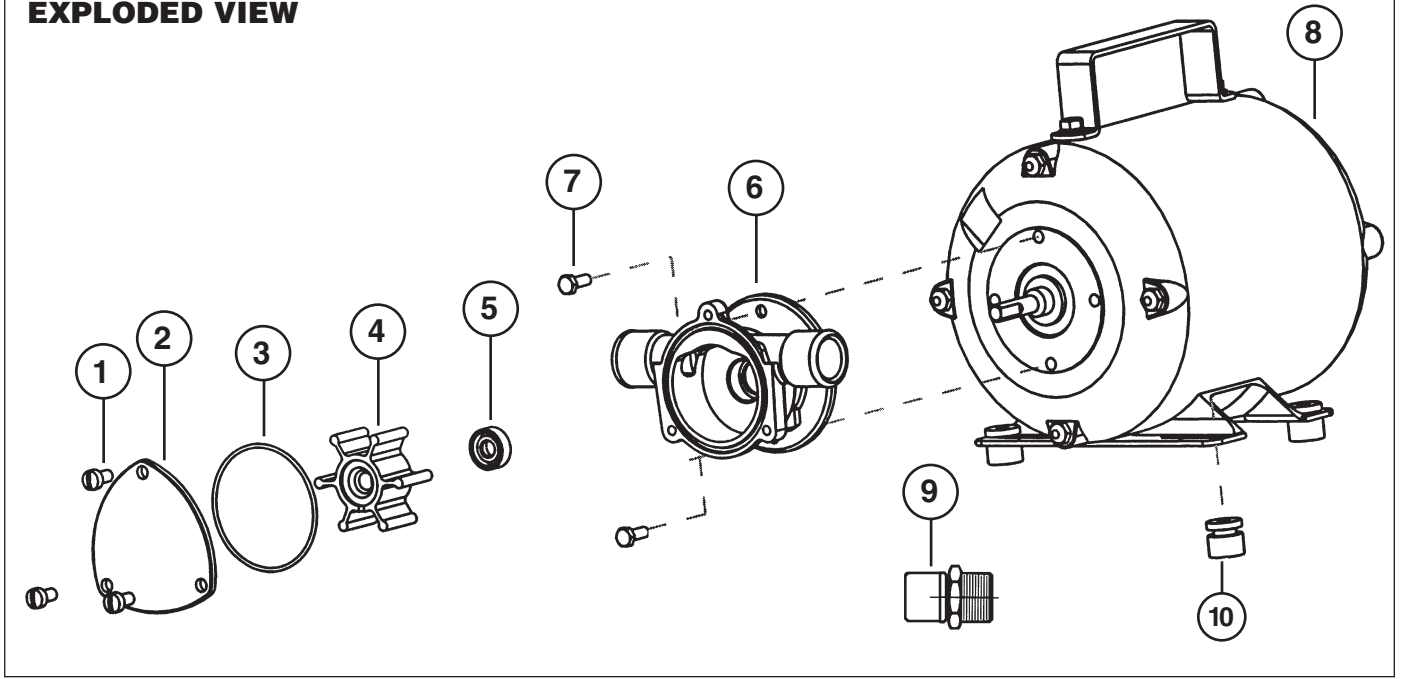
**Do not service with power connected.** Refer to Exploded View on the following page.

1. Remove end cover screws (1) end cover (2), and O-ring (3).
2. Remove impeller (4).
3. Loosen and remove the two slotted hex screws (7) that attach pump body (6) to motor (8).
4. Disengage the shaft seal (5) from the seal bore using a 1/2" diameter dowel. Push the shaft seal from the motor-side of the pump body.
5. Do not tamper with or disassemble the motor.

### ASSEMBLY

1. Lubricate seal (5) with water. Position seal in bore with hollowed-out side of lip seal pointing toward the impeller bore. Using a 1/2" dowel, push seal into bore until it contacts the bottom.
2. Lubricate motor shaft and install body (6) on motor.
3. Lubricate impeller bore. Align impeller (4) and motor shaft flats. Install impeller with a clockwise motion.
4. Install O-ring (3), end cover (2) and screws (1).

## EXPLODED VIEW



## PARTS LIST

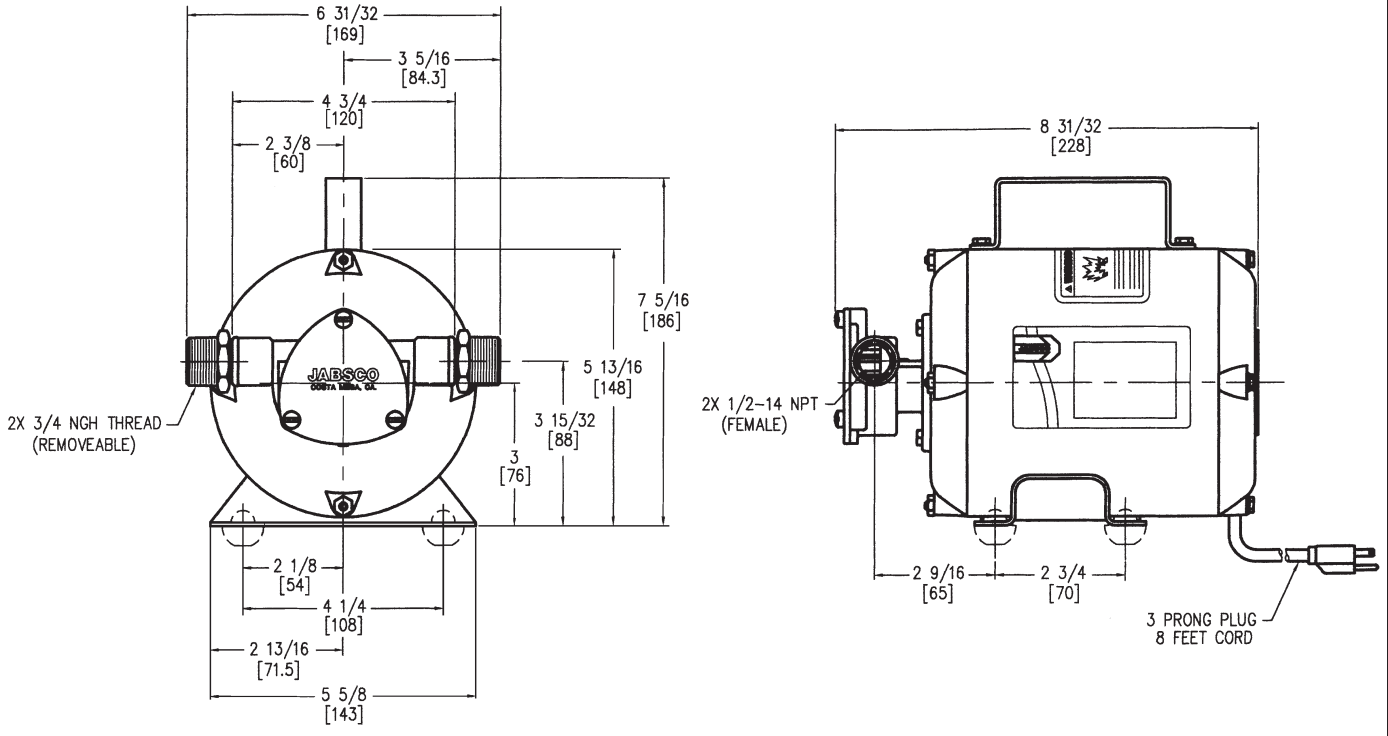
| Key | Description                      | Kit No.    |
|-----|----------------------------------|------------|
| 1   | End Cover Screw Kit (4 per kit)  | 91004-0090 |
| 2   | End Cover                        | 18647-0000 |
| 3   | <b>O-Ring*</b>                   | 18753-0660 |
| 4   | <b>Impeller*</b> : Neoprene      | 7273-0001  |
|     | Nitrile                          | 7273-0003  |
|     | Viton                            | 17273-0004 |
| 5   | <b>Lip Seal*</b> : Nitrile       | 18753-0384 |
|     | Viton                            | 18753-0385 |
| 6   | Body                             | 18645-0000 |
| 7   | Screws Pump-to-Motor (3 per kit) | 98019-0020 |
| 8   | Motor:                           |            |
|     | 18610-0001                       | 18740-0000 |
|     | 18610-0003                       | 18740-0000 |
|     | 18610-0004                       | 18740-0000 |
|     | 18610-0271                       | 18742-0000 |
|     | 18610-0273                       | 18742-0000 |
|     | 18610-0274                       | 18742-0000 |

\* PARTS SUPPLIED IN SERVICE KIT

| Key | Description                               | Kit No.    |
|-----|---|------------|
| 9   | 3/4" Male Garden Hose Adapter (2 per kit) | 18753-0103 |
| 10  | Rubber Bumper (4 per kit)                 | 92900-0020 |
|     | Service Kits For:                         |            |
|     | 18610-0001                                | 90061-0032 |
|     | 18610-0271                                | 90061-0032 |
|     | 18610-0003                                | 90061-0033 |
|     | 18610-0273                                | 90061-0033 |
|     | 18610-0004                                | 90061-0034 |
|     | 18610-0274                                | 90061-0034 |
|     | Replacement Pump Heads For:               |            |
|     | 18610-0001                                | 9190-1001  |
|     | 18610-0271                                | 9190-1001  |
|     | 18610-0003                                | 9190-1003  |
|     | 18610-0273                                | 9190-1003  |
|     | 18610-0004                                | 9190-1004  |
|     | 18610-0274                                | 9190-1004  |

# DIMENSIONAL DRAWING

Inches (Millimeters)



## TOTAL HEAD

## CAPACITY

| P.S.I. | Kg/cm <sup>2</sup> | Feet | Meters | 18610-0001<br>18610-0271 |      | 18610-0003<br>18610-0273 |      | 18610-0004<br>18610-0274 |      |
|--------|--------------------|------|--------|--------------------------|------|--------------------------|------|--------------------------|------|
|        |                    |      |        | Gpm                      | Lpm  | Gpm                      | Lpm  | Gpm                      | Lpm  |
| 4.3    | 0.3                | 10   | 3.1    | 6.5                      | 24.5 | 6.3                      | 23.7 | 6.0                      | 22.8 |
| 8.7    | 0.6                | 20   | 6.1    | 6.0                      | 22.8 | 5.6                      | 21.3 | 5.4                      | 20.3 |
| 13.0   | 0.9                | 30   | 9.1    | 5.3                      | 20.0 | 4.7                      | 17.9 | 4.6                      | 17.4 |
| 17.3   | 1.2                | 40   | 12.2   | 4.2                      | 15.8 |                          |      |                          |      |

Typical performance in US gallons per minute and liters per minute pumping water. Operation in the shaded area is not recommended.

# Jabsco



THE PRODUCTS DESCRIBED HEREIN ARE SUBJECT TO THE JABSCO ONE YEAR LIMITED WARRANTY, WHICH IS AVAILABLE FOR YOUR INSPECTION UPON REQUEST.

U.S.A.  
Jabsco  
1485 Dale Way, P.O. Box 2158  
Costa Mesa, CA 92628-2158  
Tel: 714.545.8251  
Fax: 714.957.0609

UNITED KINGDOM  
Jabsco  
Bingley Road, Hoddesdon  
Hertfordshire EN11 0BU  
Tel: +44 (0) 1992 450145  
Fax: +44 (0) 1992 467132

CANADA  
Fluid Products Canada  
55 Royal Road  
Guelph, Ontario N1H 1T1  
Tel: (519) 821.1900  
Fax: (519) 821.2569

JAPAN  
NHK Jabsco Company Ltd.  
3-21-10, Shin-Yokohama  
Kohoku-Ku, Yokohama, 222  
Tel: 045.475.8906  
Fax: 045.475.8908

GERMANY  
Jabsco GmbH  
Oststrasse 28  
22840 Norderstedt  
Tel: +49-40-53 43 73 -0  
Fax: +49-40-53 53 73 -11