

### SELF-PRIMING MACERATOR PUMP FEATURES

- Pump:** Self-Priming Flexible Impeller with Stainless Steel Wearplate
- Impeller:** Jabsco Nitrile compound
- Macerator:** Stainless Steel Cutter reduces particle size to 1/8" (3mm) maximum
- Seal:** Lip Type
- Ports:** Inlet - 1-1/2" (38mm) Hose Barb and 1-1/2" N.P.T. (Male)  
Outlet - 1" (19mm) Hose Barb
- Motor:** Permanent Magnet Type, Fully Enclosed, with Stainless Steel Shaft  
Complies with USCG Regulation 183.410 and ISO 8846 MARINE for Ignition Protection
- Weight:** 5 lb (2,3 kg) Approx.

### VARIATIONS AVAILABLE

MODEL NO.	DESCRIPTION
<b>18590-0000</b>	12 Volt
<b>18590-0090</b>	12 Volt EMC <b>CE</b>
<b>18590-0001</b>	24 Volt
<b>18590-0091</b>	24 Volt EMC <b>CE</b>

### APPLICATION

The JABSCO 18590 series dc macerator pump unit is the ideal solution for emptying marine holding tanks when not in a discharge restricted area. The JABSCO macerator is self-priming to a five foot lift when impeller is wet, four foot when dry, and may be mounted in any convenient point in the waste discharge system. The macerator section grinds waste down to a particle size of 1/8" (3mm) maximum so it can easily be pumped through a 1" (19mm) ID discharge hose. The pump section is self-priming, permitting the unit to be mounted above the tank in a convenient location. (For optimal efficiency, locate pump as close to holding tank as possible.)

The macerator has an approximate flow rate of 12 GPM (45 LPM) and will empty a typical 30 gallon (115 litre) holding tank in less than 3 minutes.

The 18590 series waste pump will macerate and pump all waste and tissue normally found in marine and recreational vehicle waste systems.



Model: 18590-Series

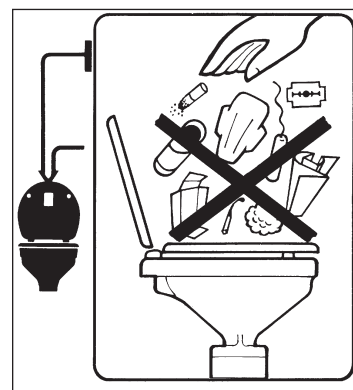
The pumps should be used in accordance with EPA, USCG Marine Sanitation Regulations, and any regional or local ordinances.

**Motors meet USCG Electrical Regulation Title 33, Chapter 1, Part 183; Subpart 1 and ISO 8846 MARINE for IGNITION PROTECTION.**

### OPERATING INSTRUCTIONS

The macerator should be controlled by a momentary switch (push and hold) positioned close enough to the pump so it can be heard while operating. When the tank is empty there will be a change in pump noise (louder, higher frequency) at which time the macerator should immediately be switched off.

The macerator pump unit has been designed to handle waste, toilet tissue, and facial tissue. It will also handle

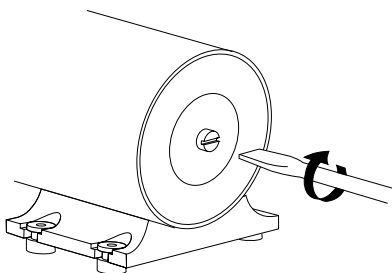


solids such as cigarettes, cigars and chunks of soft fruits or vegetables less than 1" size. It will not pump solid objects like fruit pits, rags, wet strength kitchen towels, tampons or sanitary napkins. The holding tank and pump should be flushed with several gallons of water after each pumpout.

Do NOT run pump dry longer than 30 seconds or impeller and pump damage may result. Make sure the battery is fully charged. The dc motor is suitable only for intermittent duty and should not be run for more than 15 minutes continuously. At maximum flow of 12 GPM (45 LPM) the macerator can empty a 180 gallon (680 litre) holding tank in a single operation.

After long periods of nonuse, the flexible impeller may stick to the pump body preventing the macerator pump from turning freely. If this occurs, the impeller can be broken free by removing the plastic cap on the shaft at the rear end of the motor, inserting a screwdriver in the slot and rotating the shaft clockwise a quarter turn or more. When impeller is broken free, reinstall the plastic cap on the motor shaft.

### MOTOR ILLUSTRATION



### INSTALLATION INSTRUCTIONS

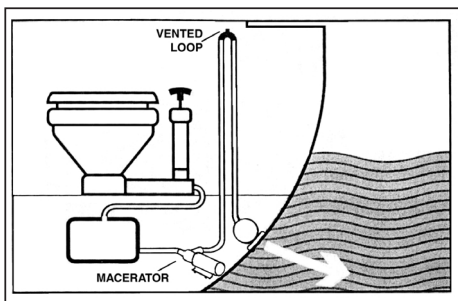
**Locating the Pump:** The JABSCO macerator is self-priming to a five foot lift when impeller is wet, four foot when dry, and may be mounted in any convenient point in the waste discharge system. It may be mounted in any position or angle without affecting performance. If mounted vertically the motor should be above the pumphead. Use the rubber grommets provided to absorb vibration. Do not overtighten mounting screws. For optimal performance, mount the pump as close to tank as possible.

**Plumbing Connections:** Use 1-1/2" (38mm) ID noncollapsible waste type suction hose. Slip the hose over the inlet hose barb and secure it with two stainless steel hose clamps.

The macerator may also be screwed directly into a 1-1/2" N.P.T. tank flange or female pipe fitting. If attaching the inlet port to a pipe fitting it may require removing the hose barb portion of the port with a hack-saw. If this is necessary, cut across the hose barb portion of the port about 1/8 inch (3mm) away from the end of the pipe threads. Wrap port threads with a couple wraps of Teflon\* tape and screw the pump assembly into the pipe fitting. Tighten hand tight, do not overtighten.

**NOTICE:** An air leak anywhere in the suction side of the plumbing system can cause extended dry running which may result in damage to the impeller and pump.

All suction connections must be airtight and free of sharp bends or restrictions. If a waste deck fitting is installed (for dockside pump-out), it too must be airtight to



ensure proper priming. Make certain there are no air leaks around the deck plate cap or hose tail. Use minimum 1" (19mm) ID hose for discharge and connect to thru-hull fitting located approximately 4-6 inches above waterline.

**NOTICE:** The discharge thru-hull may be positioned below the waterline only if the discharge hose has a vented loop fitting installed at least 8" above the waterline at all angles of heel or trim. Consult with a qualified marine plumber.

\* Teflon is a registered trademark of E.I. DuPont de Nemours and Company.

### WIRING

**NOTICE:** Correct motor polarity (orange to positive, black to negative) is important. Reverse polarity can damage motor and void warranty.

Full voltage at the motor is required to properly operate the macerator. It must be wired in a circuit independent of all other accessories.

Use stranded copper wire of the correct size (determined from the electrical specifications chart) to connect the macerator to the power source. Undersized wire will cause a reduction of voltage that may cause the pump to seize or damage the motor. An appropriate size fuse or equivalent circuit breaker (determined from electrical specifications chart) must be installed in the positive power lead within seven inches of the power source. Alternatively the macerator may be wired to a properly installed over-current protecting electrical distribution panel. Connect the positive lead to a heavy-duty momentary switch (push and hold) (see required switch amperage rating in electrical specifications chart) positioned close enough to the macerator so the operator can hear the macerator while it is running. Continue the positive lead from the switch to the macerator and connect it to the orange (positive) motor lead. Connect the black (negative) motor lead to the negative side of the battery or grounded buss bar.

### ELECTRICAL SPECIFICATIONS

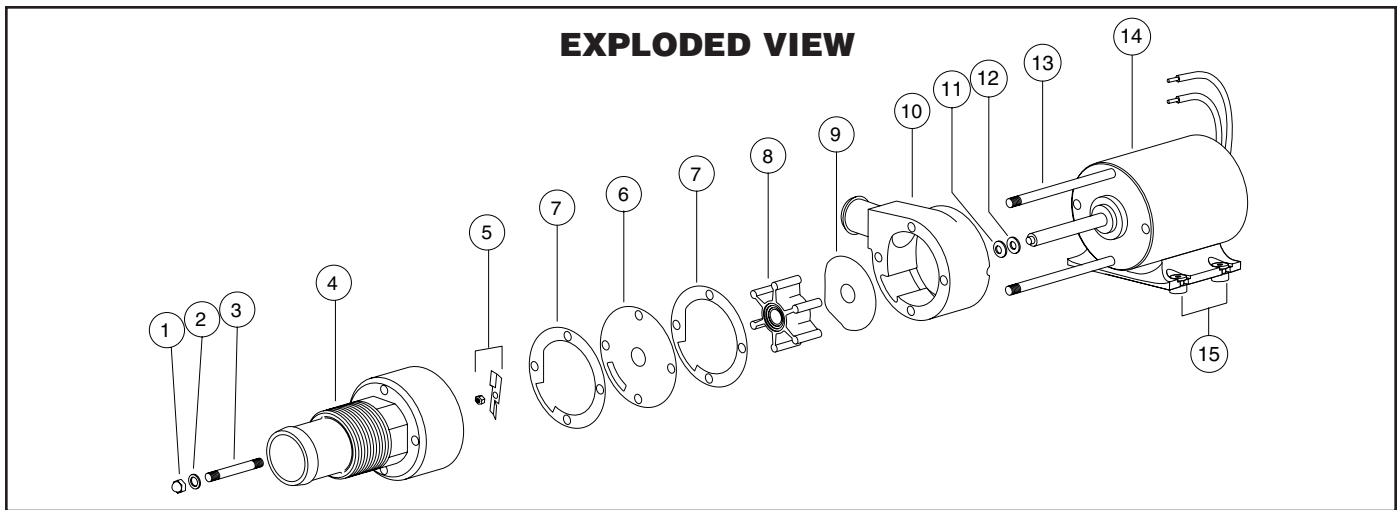
VOLTAGE	AMP DRAW	FUSE SIZE	Switch Rating	WIRE SIZE PER FEET OF RUN*				
				0'-10'	10'-15'	15'-25'	25'-40'	40'-60'
12 Vdc	16	20		#12 (4)	#10 (6)	#10 (6)	#8 (10)	#6 (16)
24 Vdc	8	15		#16 (1.5)	#14 (2.5)	#12 (4)	#10 (6)	#10 (6)

\* Length of run is total of the circuit from the power source to product and back to ground.

### HEAD CAPACITY TABLE†

Head Ft	GPM	AMPS	
		12 volt	24 volt
Free flow	12.5	14.0	7.6
5	11.5	14.5	7.8
10	10.5	15.0	8.1
15	9.0	16.0	8.6
20	7.5	16.5	8.9

† Flow rates and amperage will vary slightly depending on pump loading (sanitation system design).



## PARTS LIST

KEY	DESCRIPTION	PART NUMBER	QTY.
1	Acorn Nut	91085-0340	4
2	Fiber Washer*	91613-0140	4
3	Stud*	17288-0010	2
4	Macerator Housing	18594-1000	1
5	Chopper Plate with Locknut	37056-1000	1
6	Wearplate, Large	18597-1000	1
7	Gaskets (2 ea per kit)*	18596-1000	1
8	Impeller*	6303-0003	1
9	Wearplate, Small	12316-1002	1
10	Body*	18593-1000	1
11	Seal*	1040-0000	1
12	Slinger	6342-0000	1
13	Stud	17288-0000	2
14	Motor 12 volt	17246-0000	1
	Motor 12 volt EMC	18753-0638	1
	Motor 24 volt	17246-0001	1
	Motor 24 volt EMC	18753-0634	1
15	Grommets (Set of 4)	92900-0120	1
	Service Kit	18598-1000	1

\* These parts are supplied in 18598-1000 Service Kit.

## DISASSEMBLY

Notice: Before performing any service, disconnect the electrical power to the macerator and take precaution to ensure that it is not restored until service is complete.

Remove the four acorn nuts (Key 1) and fiber washers (Key 2) from the pump studs (Key 3). Slide the macerator housing (Key 4) off the studs. Insert a thin bladed 9/32" (7 mm) ignition wrench behind the chopper plate (Key 5) and onto the flat of the motor shaft to prevent it from turning. Unscrew (counter-clockwise) the locknut on the end of the motor shaft and remove the stainless steel chopper blade.<sup>††</sup> On new model macerators the shaft can be prevented from turning by inserting a screwdriver in the slot of the motor shaft extending from the motor's rear end bell. Remove the pump wearplate (Key 6) and two paper gaskets (Key 7). Now slide the pump body (Key 10) with

impeller (Key 8), small wearplate (Key 9), two studs and shaft seal as an assembly off the motor shaft and remaining two mounting studs. Remove the starlock retaining washer on the seal and push the seal out of the seal bore.

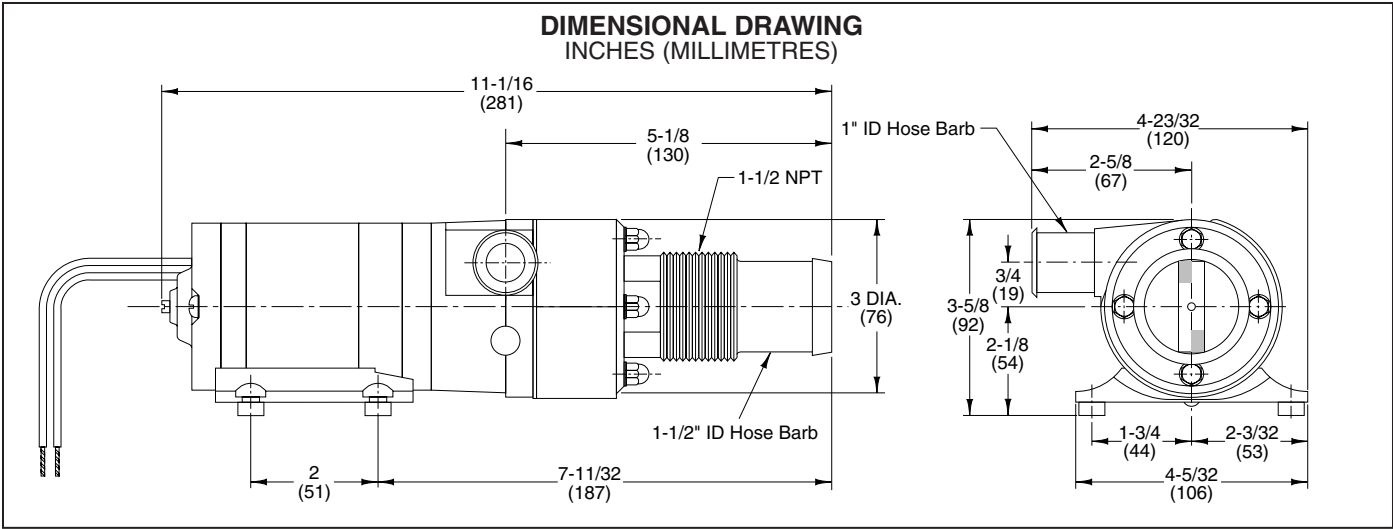
Notice: If reconditioning pump with a service kit (Part No. 18598-1000), it is not necessary to remove the seal because the new seal is pre-installed in the new body. It is also generally not necessary to remove the slinger or brass studs screwed into the motor end bell.

## ASSEMBLY

If installing a new seal, push it into the seal bore of the body with the lip pointing toward the impeller bore. Press the starlock washer into the seal bore with the concave side up to secure the seal in the bore. Install the two shorter studs in the two holes with threaded inserts in the new pump body and tighten finger tight. If required, screw two longer studs into the tapped holes in the motor end bell. Slide the new pump body with the shaft seal installed onto the motor shaft and two long mounting studs in the motor. Slide the small wearplate over the motor shaft and position it in the bottom of the impeller bore. Slide the new impeller onto the motor shaft and, with a counter-clockwise motion, push it into the pump impeller bore. Position one new gasket on the studs and against the pump body assuring the cut-out aligns with the inlet groove in the body. Position the large wearplate and second gasket on the studs and against the body again aligning the hole in the wearplate and gasket cut-out with the pump inlet. Position the chopper on the end of the motor shaft with drive tab aligned with flat of shaft and pointing toward the motor. Hold the shaft to prevent it from turning and secure the chopper to the shaft with the locknut. Position the macerator housing on the four studs ensuring the cut-out in the inner wall aligns with pump body inlet port and hole in the wearplate. Position a new fiber washer on each of the studs and secure the macerator housing in place with the four acorn nuts.

<sup>††</sup> On pumps manufactured prior to April of 1998, position a screwdriver between the prongs of the bronze chopper and unscrew it (counter-clockwise) and remove it and its lock washer from the motor shaft.

**DIMENSIONAL DRAWING**  
INCHES (MILLIMETRES)



Jabsco



THE PRODUCTS DESCRIBED HEREIN ARE SUBJECT TO THE JABSCO ONE YEAR LIMITED WARRANTY, WHICH IS AVAILABLE FOR YOUR INSPECTION UPON REQUEST.

U.S.A.  
Jabsco  
20 Icon  
Foothill Ranch, CA 92610-3000  
Tel: 949.609.5106  
Fax: 949.859.1254

UNITED KINGDOM  
Jabsco  
Bingley Road, Hoddesdon  
Hertfordshire EN11 OBU  
Tel: +44 (0) 1992 450145  
Fax: +44 (0) 1992 467132

CANADA  
Fluid Products Canada  
55 Royal Road  
Guelph, Ontario N1H 1T1  
Tel: (519) 821.1900  
Fax: (519) 821.2569

JAPAN  
NHK Jabsco Company Ltd.  
3-21-10, Shin-Yokohama  
Kohoku-Ku, Yokohama, 222  
Tel: 045.475.8906  
Fax: 045.475.8908

GERMANY  
Jabsco GmbH  
Oststrasse 28  
22840 Norderstedt  
Tel: +49-40-53 53 73 -0  
Fax: +49-40-53 53 73 -11