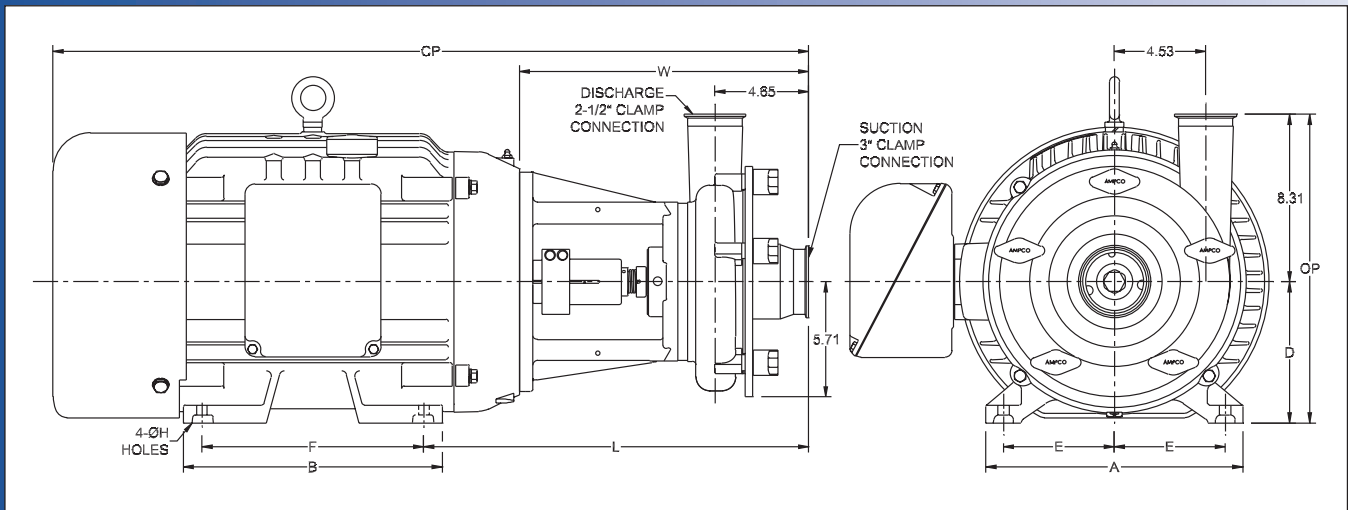
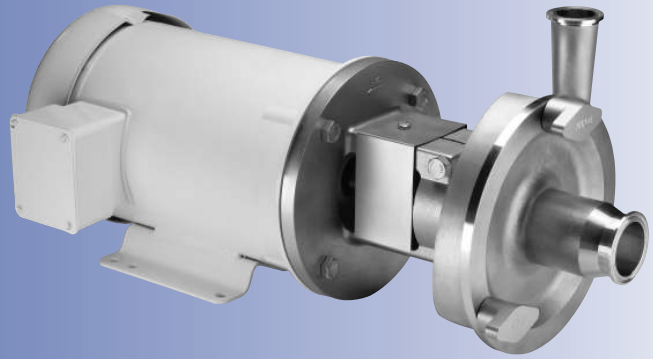


Ampco Centrifugal Pumps

DATA SHEET

MODEL LD-V541 3X2 $\frac{1}{2}$
MODEL LD-V542 3X2 $\frac{1}{2}$



TEFC MOTOR			DIMENSIONS IN INCHES (For Reference Only)										APPROX WEIGHT (LBS)
HP	RPM	FRAME	A (typ)	B (typ)	D	E	F	ØH	L	W	CP	OP	
2	1750	145TC	6-1/2	6	3-1/2	2-3/4	5	11/32	16.92	14.17	25.23	11.81	117
3	1750	182TC	8-5/8	6-1/2	4-1/2	2-3/4	4-1/2	13/32	17.68	14.18	27.87	12.81	147
5	1750	184TC	8-5/8	6-1/2	4-1/2	3-3/4	5-1/2	13/32	17.68	14.18	29.36	12.81	154
7-1/2	1750	213TC	9-1/2	8	5-1/4	4-1/4	5-1/2	13/32	18.43	14.18	29.45	13.56	205
10	3500	215TC	9-1/2	8	5-1/4	4-1/4	7	13/32	18.43	14.18	29.45	13.56	201
15	3500	215TC	9-1/2	8	5-1/4	4-1/4	7	13/32	18.43	14.18	31.33	13.56	241
20	3500	256TC	11-1/2	11-1/2	6-1/4	5	10	17/32	19.10	14.35	35.48	14.56	368
25	3500	284TSC	12-3/4	12-3/4	7	5-1/2	9-1/2	17/32	19.10	14.35	37.48	15.31	461
30	3500	286TSC	12-3/4	12-3/4	7	5-1/2	11	17/32	19.10	14.35	37.48	15.31	483
40	3500	324TSC	14-1/2	14	8	6-1/4	10-1/2	21/32	20.23	14.98	39.98	16.31	597
50	3500	326TSC	14-1/2	14	8	6-1/4	12	21/32	20.23	14.98	39.98	16.31	706

MATERIAL SPECIFICATIONS

PART NAME	STAINLESS STEEL
Casing, Cover & Impeller	316L Stainless
Stub Shaft	316L Stainless
Adapter	304 Stainless

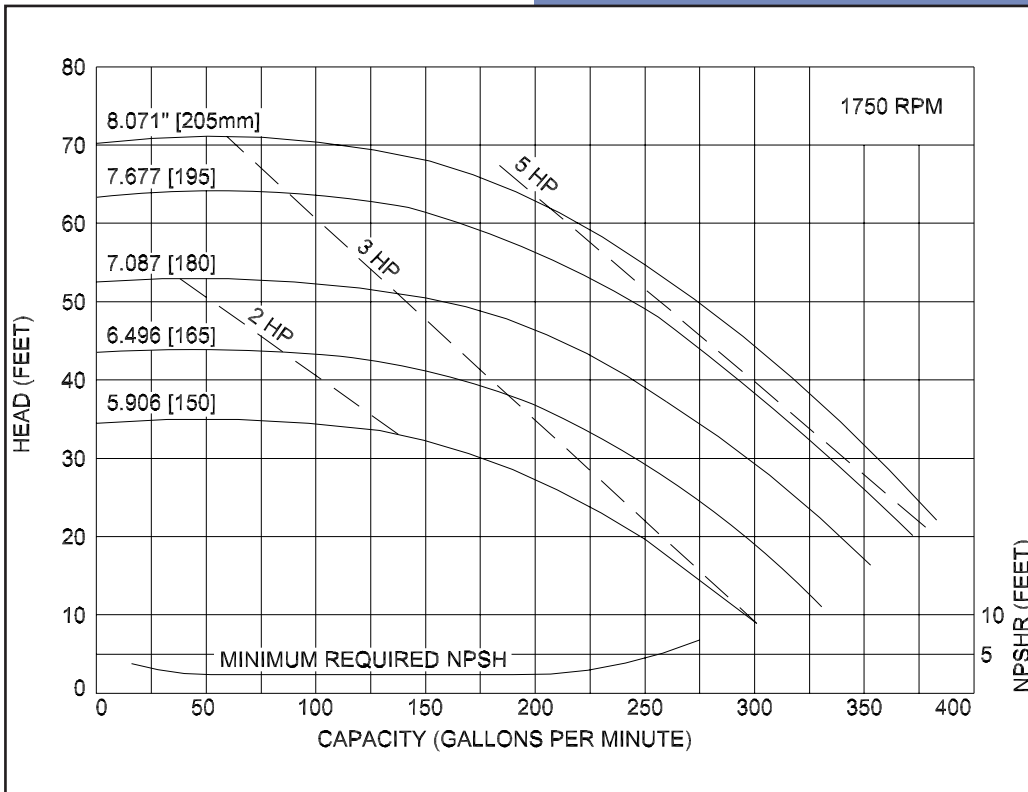
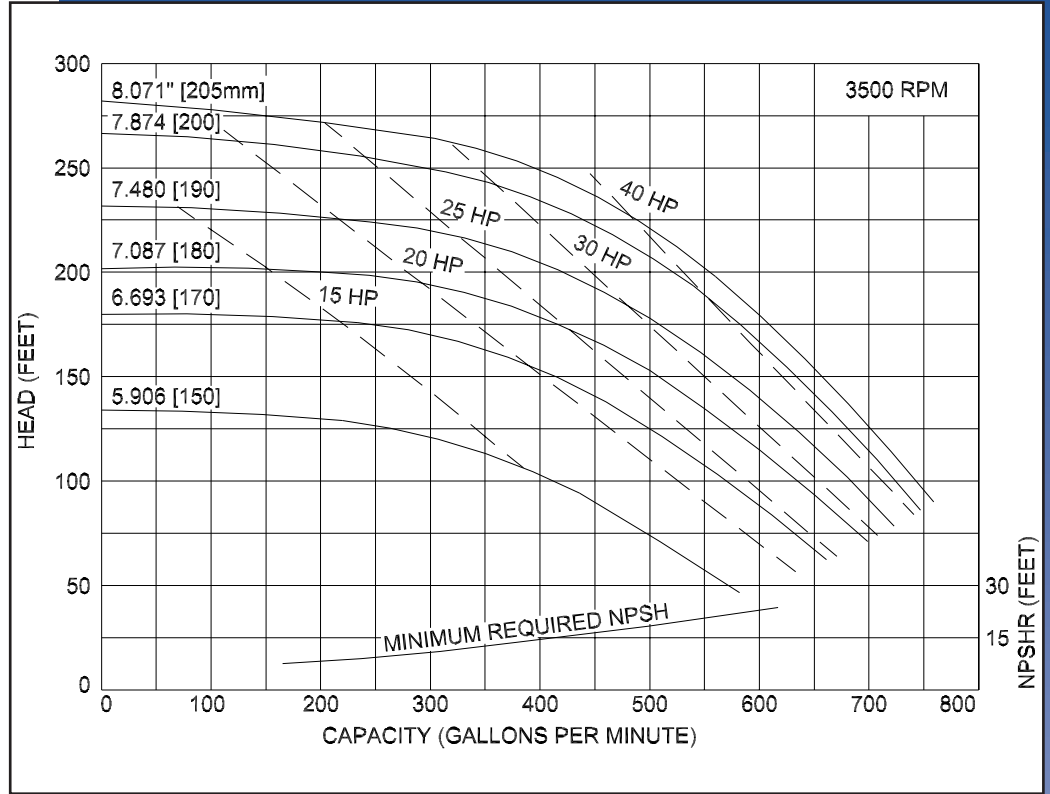


Ampco Centrifugal Pumps

MODEL LD-V541 3X2½
 MODEL LD-V542 3X2½

Curves show approximate characteristics based on clear 68° water. Rated point is guaranteed.

LD-Series pumps have standard stainless steel adapters and silicon carbide vs. carbon internal seals and carbon vs. ceramic external seals.



LD pumps are in conformance with 3A sanitary standards for centrifugal and positive rotary pumps for milk and milk products, Number 02-09.

LD-Series pumps have a standard 32RA (150 grit) finish, on all product contact surfaces.

**Ampco
 Pumps
 Company**

4424 West Mitchell Street
 Milwaukee, Wisconsin 53214
 PHONE (414) 643-1852
 FAX (414) 643-4452