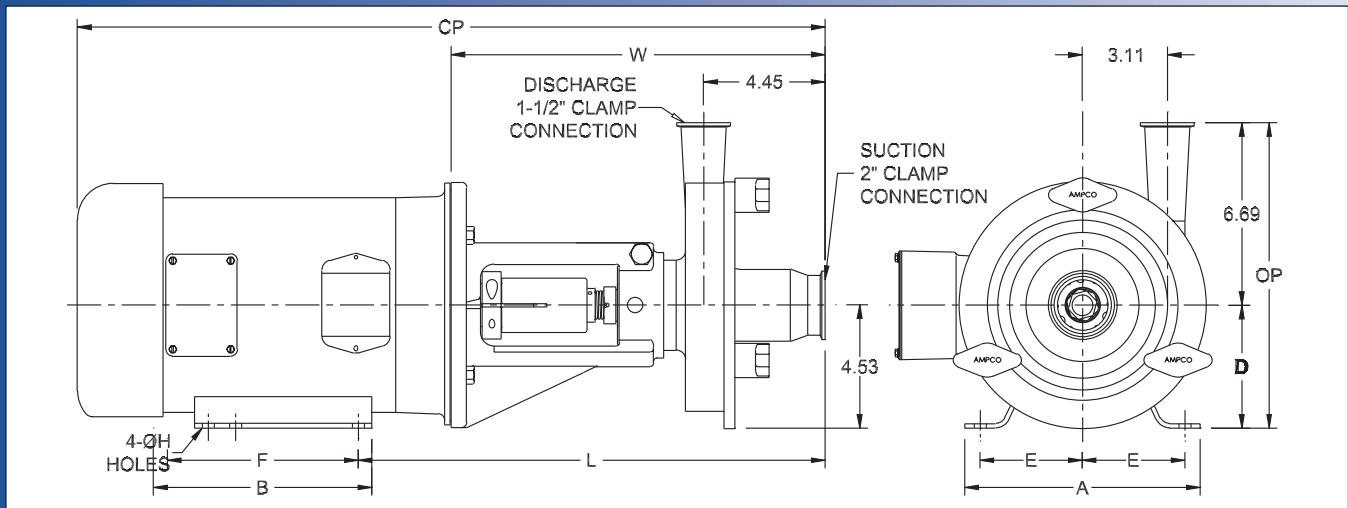
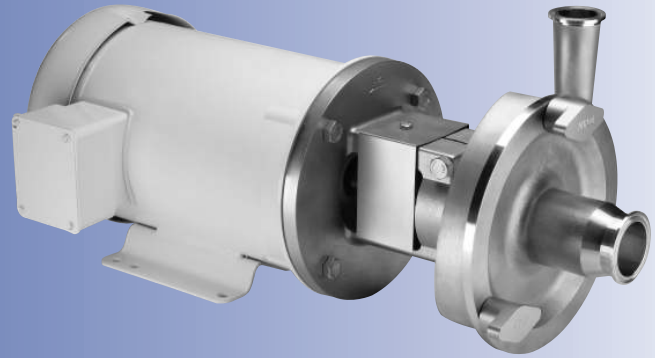


# Ampco Centrifugal Pumps

## DATA SHEET

MODEL LD-R21 2X1 1/2  
MODEL LD-R22 2X1 1/2



TEFC MOTOR			DIMENSIONS IN INCHES (For Reference Only)										APPROX WEIGHT (LBS)
HP	RPM	FRAME	A (typ)	B (typ)	D	E	F	ØH	L	W	CP	OP	
1	1750	143TC	6-1/2	6	3-1/2	2-3/4	4	11/32	16.44	13.69	24.75	10.19	80
1-1/2	1750	145TC	6-1/2	6	3-1/2	2-3/4	5	11/32	16.44	13.69	24.75	10.19	86
3	3500	182TC	8-5/8	6-1/2	4-1/2	3-3/4	4-1/2	13/32	17.20	13.70	26.01	11.19	107
5	3500	184TC	8-5/8	6-1/2	4-1/2	3-3/4	5-1/2	13/32	17.20	13.70	27.38	11.19	121
7-1/2	3500	184TC	8-5/8	6-1/2	4-1/2	3-3/4	5-1/2	13/32	17.20	13.70	28.88	11.19	139
10	3500	215TC	9-1/2	8	5-1/4	4-1/4	7	13/32	17.95	13.70	28.97	11.94	173

## MATERIAL SPECIFICATIONS

PART NAME	STAINLESS STEEL
Casing, Cover & Impeller	316L Stainless
Stub Shaft	316L Stainless
Adapter	304 Stainless

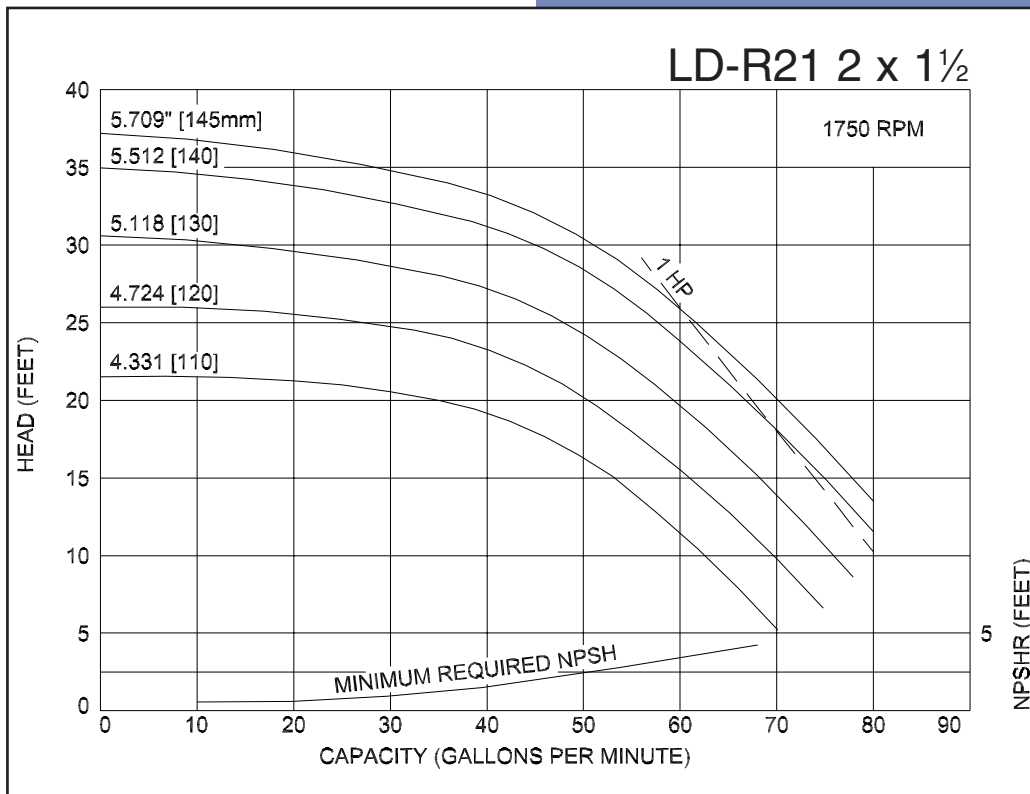
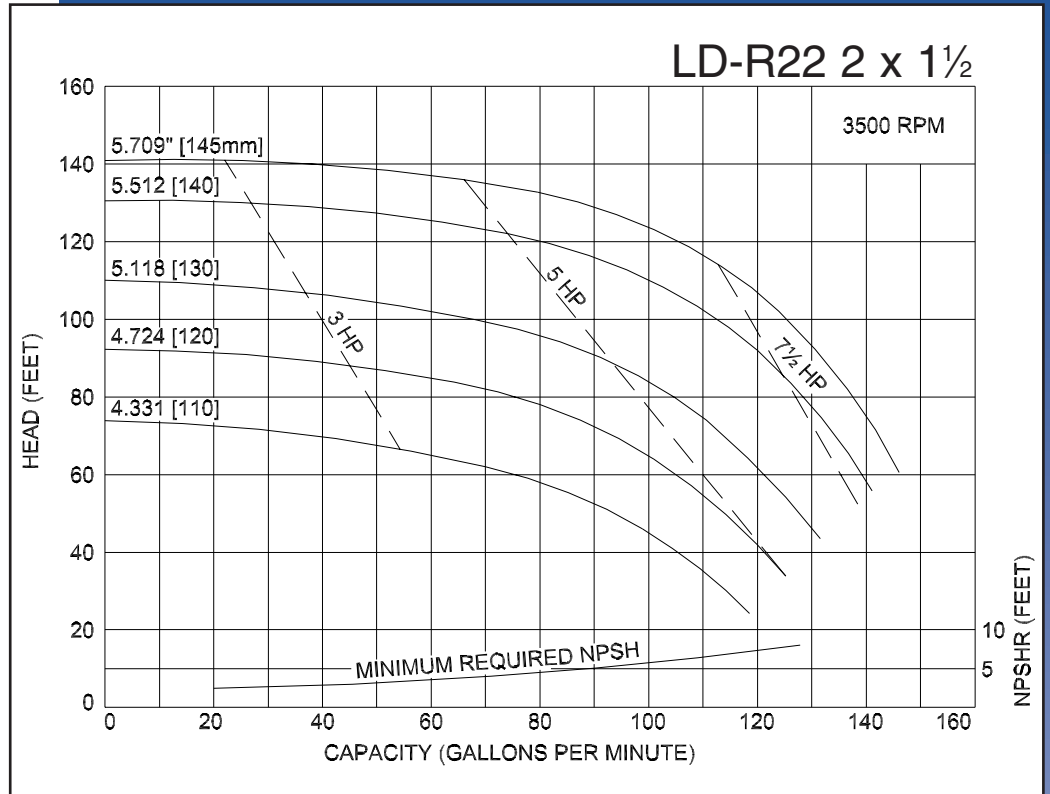


MODEL LD-R21 2X1½  
 MODEL LD-R22 2X1½

# Ampco Centrifugal Pumps

Curves show approximate characteristics based on clear 68° water. Rated point is guaranteed.

LD-Series pumps have standard stainless steel adapters and silicon carbide vs. carbon internal seals and carbon vs. ceramic external seals.



LD pumps are in conformance with 3A sanitary standards for centrifugal and positive rotary pumps for milk and milk products, Number 02-09.

LD-Series pumps have a standard 32RA (150 grit) finish, on all product contact surfaces.

**Ampco  
Pumps  
Company**

4424 West Mitchell Street  
 Milwaukee, Wisconsin 53214  
 PHONE (414) 643-1852  
 FAX (414) 643-4452