

# Fluid-o-Tech magnetic drive rotary vane pumps TMCF01S TMCF07S AC pump/motor units



Fluid-o-Tech has combined its expertise in rotary vane pumps and magnet drives to exclusively manufacture this series of pumps. The principle of the magnet drive is the driving force of the pole-to-pole alignment of two magnets. The driven magnet is attached to the pump shaft, while the driving magnet is attached to the motor shaft and closely located to the driven magnet. By means of magnet attraction, the pump rotates in response to motor shaft rotation. Available in 6 different displacements, with

either a brass or stainless steel housing, AISI 303 rotor, carbon graphite pumping chamber and 3/8" GAS or NPT threaded ports, this pump line may be equipped, upon request, with standard or balanced built-in relief valve and NBR, EPDM or Viton® seals.

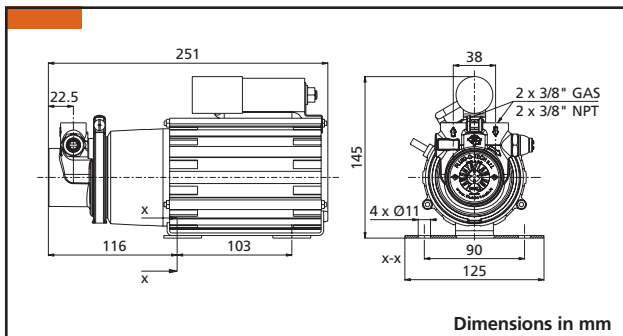
Compared to conventional coupling, the magnet drive has several advantages:

- 1) Longer service life
- 2) No leaks or contamination
- 3) Noiseless operation
- 4) No contact between pump and motor shaft
- 5) Higher efficiency

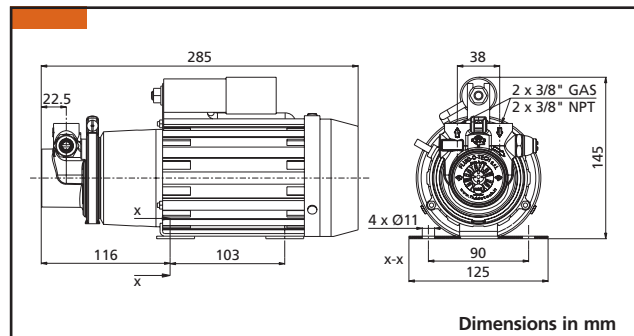


- Max system pressure: 18 bar (260 psi)
- Max temperature: 70 °C (158 °F)

## TMCF01S



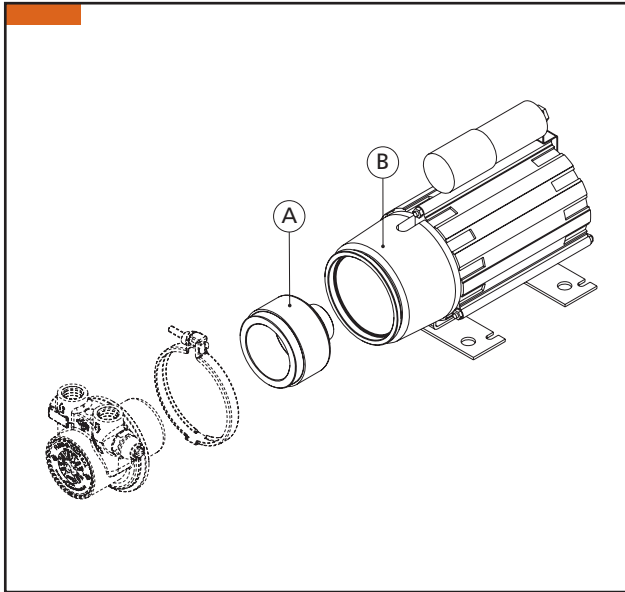
## TMCF07S



### Main applications

- Espresso coffee machines
  - Soda circulation
- Reverse osmosis
  - Solar heating systems
- Cooling systems
  - Refrigerating gas transfer

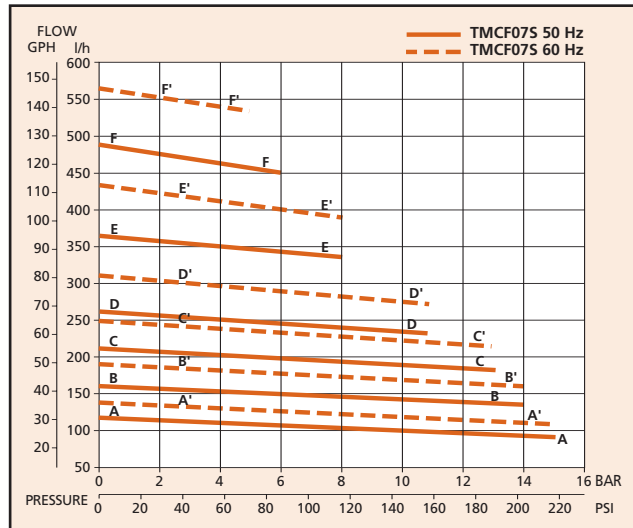
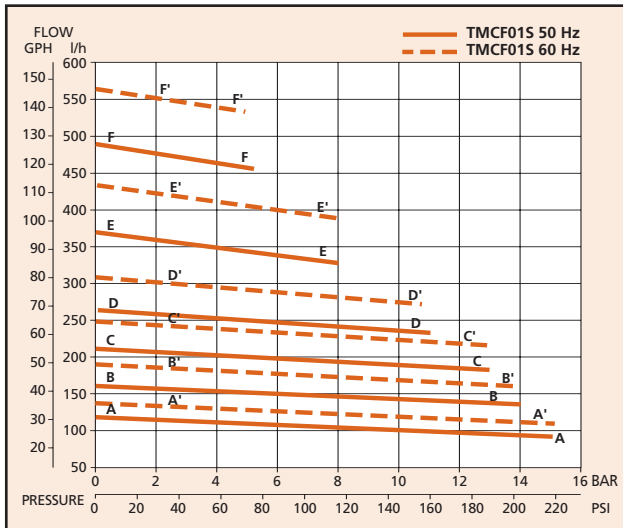
# Fluid-o-Tech magnetic drive rotary vane pumps TMCF01S TMCF07S AC pump/motor units



| Pos. | Description                      | Code    |         |
|------|----------------------------------|---------|---------|
| A    | 9 mm bore ferrite driving magnet | TMAF09S | TMAF09S |
| A+B  | Complete assembly                | TMCF01S | TMCF07S |

| Driving unit            | TMCF01S      | TMCF07S    |
|-------------------------|--------------|------------|
| Code                    | 6900128      | 6900338    |
| Voltage (V)             | 230 AC       | 230 AC     |
| Frequency (Hz)          | 50/60        | 50/60      |
| Poles                   | 2            | 2          |
| Rated speed (rpm)       | 2850/3400    | 2870/3450  |
| Current consumption (A) | 0,75         | 0,8        |
| Output power (W)        | 90           | 90         |
| Pump motor weight (kg)  | 5,8          | 5,9        |
| Duty                    | Intermittent | Continuous |

| Model   | Bypass   | Housing            | Figure   |     |
|---------|----------|--------------------|----------|-----|
| TMSS030 | NO       | STAINLESS<br>STEEL | A-A      |     |
| TMSS050 |          |                    | B-B      |     |
| TMSS070 |          |                    | C-C      |     |
| TMSS100 |          |                    | D-D      |     |
| TMSS150 |          |                    | E-E      |     |
| TMSS200 |          |                    | F-F      |     |
| TMSS031 |          |                    | STANDARD | A-A |
| TMSS051 |          |                    |          | B-B |
| TMSS071 |          |                    |          | C-C |
| TMSS101 |          |                    |          | D-D |
| TMSS151 | E-E      |                    |          |     |
| TMSS201 | F-F      |                    |          |     |
| TMOT030 | NO       | BRASS              | A-A      |     |
| TMOT050 |          |                    | B-B      |     |
| TMOT070 |          |                    | C-C      |     |
| TMOT100 |          |                    | D-D      |     |
| TMOT150 |          |                    | E-E      |     |
| TMOT200 |          |                    | F-F      |     |
| TMOT031 |          |                    | STANDARD | A-A |
| TMOT051 |          |                    |          | B-B |
| TMOT071 |          |                    |          | C-C |
| TMOT101 |          |                    |          | D-D |
| TMOT151 | E-E      |                    |          |     |
| TMOT201 | F-F      |                    |          |     |
| TMOT034 | BALANCED | A-A                |          |     |
| TMOT054 |          | B-B                |          |     |
| TMOT074 |          | C-C                |          |     |
| TMOT104 |          | D-D                |          |     |
| TMOT154 |          | E-E                |          |     |
| TMOT204 |          | F-F                |          |     |



Note: Characteristics with water at 20 °C (68 °F) and without bypass. Use filter before pump inlet not larger than 20 microns. Pump weight: 5,6 kg (12,3 Lbs).

Fluid-o-Tech reserves the right to alter the specifications indicated in this catalogue at any time and without prior notice.

TMCF01S-07S – 03/09 Ed.

**Fluid-o-Tech srl**  
Via Leonardo da Vinci, 40  
20094 Corsico, Milano, Italy  
Tel. +39 02 8917071  
Fax +39 02 89170799

**Fluid-o-Tech Int'l Inc.**  
161 Atwater St.,  
Plantsville CT (USA) 06479  
Tel. +1 (860) 276-9270  
Fax +1 (860) 620-0193

**Fluid-o-Tech Int'l Inc. Japan**  
203, 2-17-19, Ebara, Shinagawa  
Tokyo 142-0063, Japan  
Tel. +81 (0) (3) 3783-9660  
Fax +81 (0) (3) 3783-9661

**Fluid-o-Tech Asia (Beijing) Co., Ltd**  
Jingwei Industrial Zone,  
Beifang Huairou, Beijing, 101400, PRC  
Tel. +86 (0) (10) 61684650  
Fax +86 (0) (10) 61684651